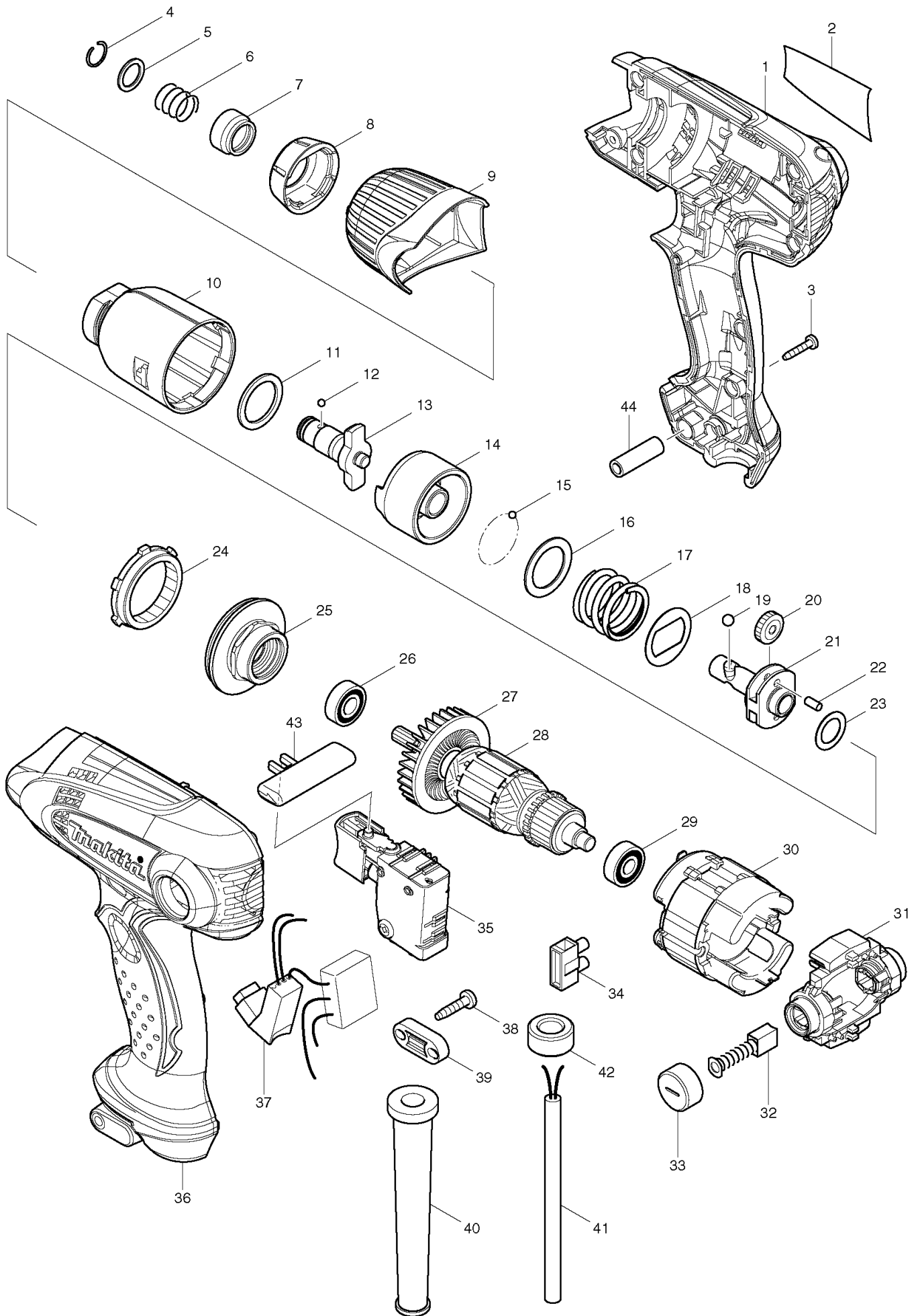


Partdrawing for TD0101F - 1/4 HEX IMPACT DRIVER



No.	Part no.	Name
7	324711-6	BIT SLEEVE TD020DSE/TD0101F
21	324897-6	SPINDLE TW100D/TD0101F/TD090D
13	325619-7	ANVIL M TD0101F
43	419250-0	F/R CHANGE LEVER TD0101F/BDF
8	424376-5	BUMPER TF0100/101
9	452440-2	HAMMER CASE COVER TD0100/101
28	517651-7	ARMATURE 110V TD0101F
28	517659-1	ARMATURE 240V TD0101F
14	324894-2	HAMMER TD0101F/TD090D
37	631872-8	LIGHT CIRCUIT 110V TD0101F
37	631873-6	LIGHT CIRCUIT 240V TD0101F
30	635106-1	FIELD 110V TD0101F
30	635109-5	FIELD 240V TD0101F
31	638643-4	HOLDER ARM COMP TD0101F
33	643928-5	BRUSH HOLDER CAP TD0101F/3707
35	650613-3	SWITCH C3TA TD0101F
34	654532-5	TERMINAL BLOCK UC3530A/KP0800
41	665918-8	POWER SUPPLY CORD 1.0-2-2.5
40	682566-8	CORD GUARD 10 TD0101F/2450
39	687124-5	STRAIN RELIEF 240V BO3710/11
42	688131-1	LINE FILTER TD0101F/UM164D
41	692527-0	LEAD WIRE HP1641/TD0101F/KP081
2	866417-5	NAME PLATE TD0101F
10	158898-0	HAMMER CASE COMP TD0101F
25	158899-8	BEARING BOX COMP TD0101F
1	188664-1	HOUSING SET TD0101F
36	188664-1	HOUSING SET TD0101F
32	191940-4	CARBON BRUSH CB-411 TD0101F/SM
26	210013-5	BALL BEARING 698VV TD0101F/SP
29	210062-2	*BALL BEARING 607ZZ BO3710/11
19	216002-8	*STEEL BALL 4.8 10PK
12	216019-1	*STEEL BALL 3 10PK
15	216019-1	*STEEL BALL 3 10PK
20	227213-0	SPUR GEAR 17 TW100D/TD090D
24	227215-6	INTERNAL GEAR 43 TW100D/TD090D
4	231965-7	RING SPRING 10 TD0101F/DF010
6	233005-7	*COMPRESSION SPRING 13 5PK
17	234096-1	COMPRESSION SPRING 21 TD0101F
23	253052-2	*NARROW THIN WASHER 12 10PK
11	261140-1	NYLON WASHER 20 TW100D/TD0101F
44	262560-2	SLEEVE 5 TD0101F
38	266326-2	*TAPPING SCREW M4X18 10PK
3	266429-2	TAPPING SCREW 3X16 TW100D/BCL
5	267143-3	FLAT WAHSER 11 TD0101F/6796D&F
16	267380-9	FLAT WASHER 20 TW100D/TD0101F
18	267813-4	WASHER 21 TW100D/TD090D
22	268217-3	PIN 3.5 TW100D/TD090D/TD0101F