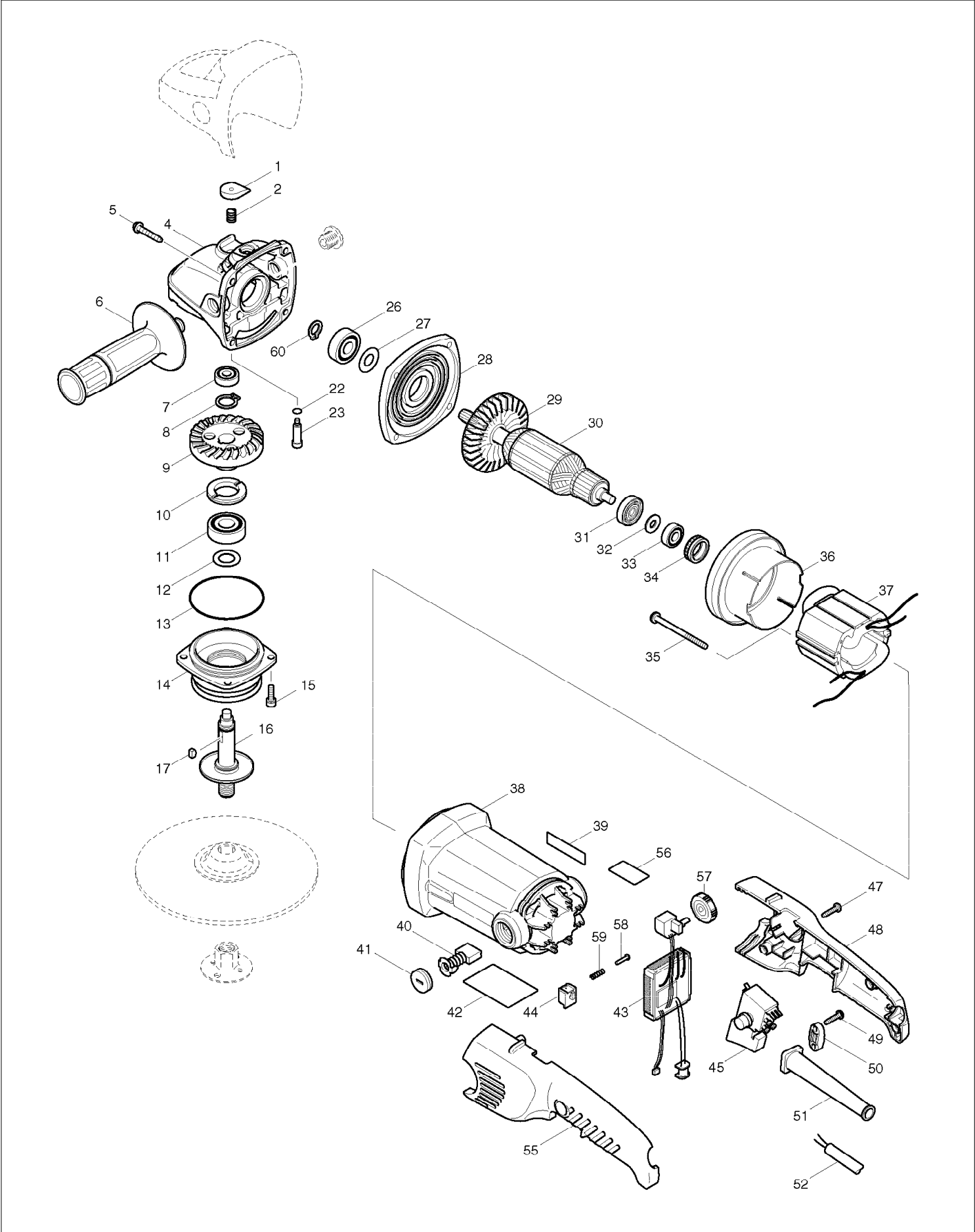


SERVICE DRAWING

MODEL NO. SA7000C



SPARE PARTS LIST

MODEL NO. SA7000C

ITEM	PART NO.	DESCRIPTION	QTY	NOTE
001	418517-3	PIN CAP	1	
002	231037-8	COMPRESSION SPRING 7	1	
004	317752-9	GEAR HOUSING	1	
005	266173-1	TAPPING SCREW 5X30	4	
006	152539-0	GRIP 36 COMPLETE	1	
007	210043-6	BALL BEARING 608LLB	1	
008	961055-9	RETAINING RING S-15	1	
009	227460-3	SPIRAL BEVEL GEAR 43	1	
010	285809-3	BEARING RETAINER 23-36	1	
011	211228-7	BALL BEARING 6202DDW	1	
012	267215-4	FLAT WASHER 15	1	
013	213720-9	O RING 67	1	
014	317754-5	BEARING BOX	1	
015	922221-3	HEX. SOCKET HEAD BOLT M5X16	4	
016	153785-8	SPINDLE COMPLETE	1	
017	254011-9	WOODRUFF KEY 4	1	
022	213026-5	O RING 7	1	
023	256483-4	SHOULDER PIN 7	1	
026	211106-1	BALL BEARING 6201LLB	1	
027	253759-0	FLAT WASHER 12	1	
028	317753-7	GEAR HOUSING COVER	1	
029	240070-9	FAN 76	1	
030	513574-7	ARMATURE ASS'Y 220-240V INC. 29,31-33	1	
031	681660-3	INSULATION WASHER	1	
032	267281-1	FLAT WASHER 8	1	
033	210005-4	BALL BEARING 608DDW	1	
034	421720-7	RUBBER RING 22	1	
035	266029-8	TAPPING SCREW 5X65	2	
036	418528-8	BUFFLE PLATE	1	
037	625708-1	FIELD 220-240V	1	
038	183778-1	MOTOR HOUSING INC. 39	1	
039	819063-3	MAKITA LABEL	2	
040	191957-7	A.C. CARBON BRUSH CB-204	1	
041	643700-5	BRUSH HOLDER CAP 7-18	2	
042	860298-9	NAME PLATE SA7000C	1	
043	631600-1	CONTROLLER	1	
044	418518-1	SLEEVE	1	
045	650213-9	SWITCH TG71ARS	1	
047	265995-6	TAPPING SCREW 4X18	4	
048	183784-6	HANDLE SET INC. 55	1	
049	265995-6	TAPPING SCREW 4X18	2	
050	687052-4	STRAIN RELIEF	1	
051	682573-1	CORD GUARD 10	1	
052	665865-3	POWER SUPPLY CORD 1.0-2-2.5	1	
055	183784-6	HANDLE SET INC. 48	1	
056	816814-5	INDICATION LABEL	1	
057	271420-7	DIAL 28	1	
058	255058-6	RIVET 2	1	
059	233002-3	COMPRESSION SPRING 3	1	
060	961052-5	RETAINING RING S-12	1	
A01	224515-5	SANDING LOCK NUT 14-48	1	
A02	265136-4	+ ROUND HEAD SCREW M14X10	2	
A03	418529-6	HEAD COVER	1	
A04	743012-7	RUBBER PAD 170	1	
A05	782407-9	LOCK NUT WRENCH 35	1	