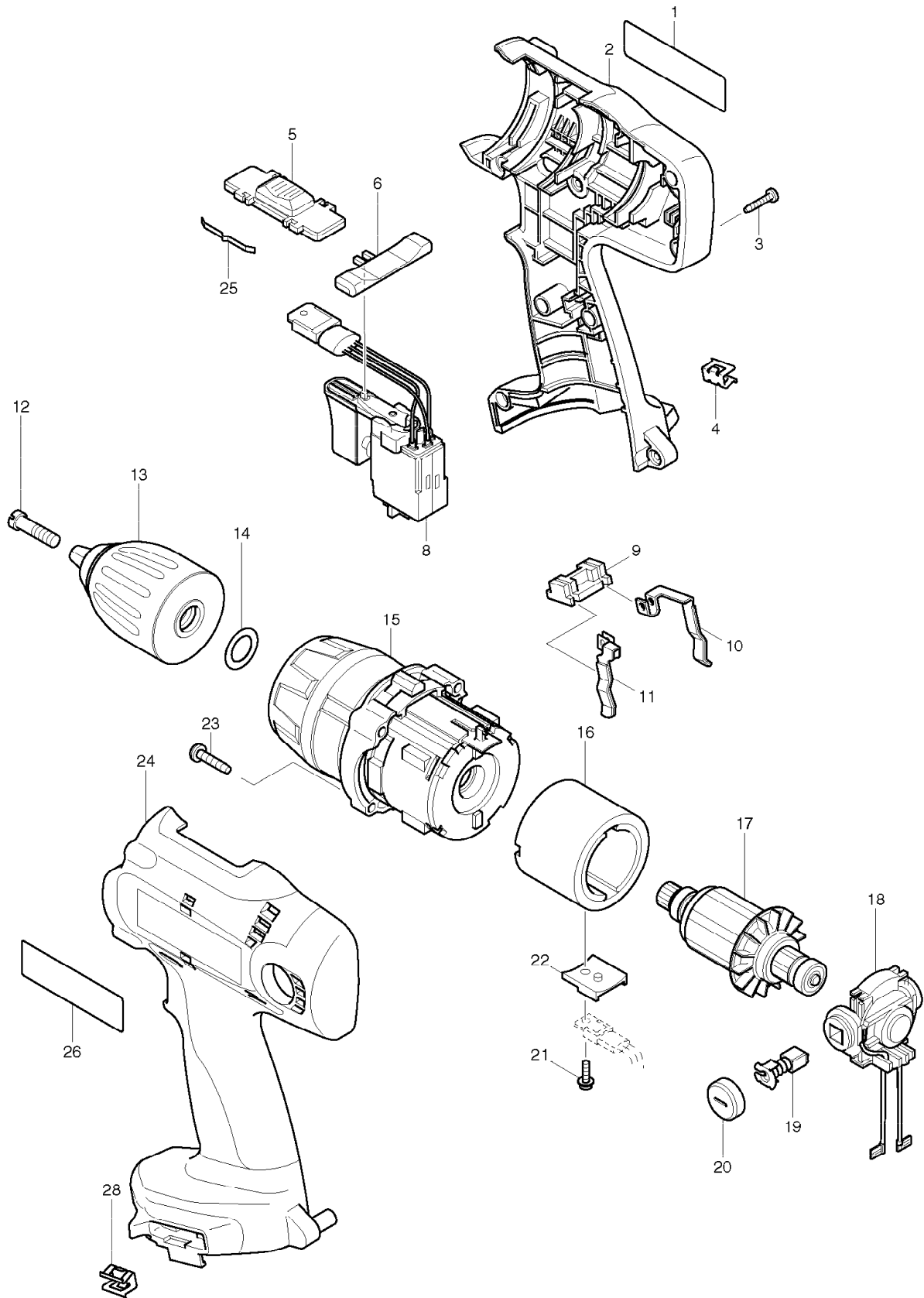


SERVICE DRAWING

MODEL NO. 6339D



SPARE PARTS LIST

MODEL NO. 6339D

ITEM	PART NO.	DESCRIPTION	QTY	NOTE
001	860954-1	NAME PLATE 6339D	1	
002	183845-2	HOUSING SET INC. 24	1	
003	266130-9	TAPPING SCREW BIND PT 3X16	9	
004	344391-2	BIT HOLDER	1	
005	125435-5	SPEED CHANGE LEVER ASS'Y	1	
006	418753-1	F/R CHANGE LEVER	1	
008	650559-3	SWITCH C3LA-2A-ED	1	
009	687085-9	HOLDER	1	
010	654168-0	SPRING TERMINAL (+)	1	
011	654169-8	SPRING TERMINAL (-)	1	
012	251464-3	- FLAT HEAD SCREW M6X22	1	
013	763199-9	KEYLESS DRILL CHUCK 13	1	
014	253798-0	FLAT WASHER 13	1	
015	125431-3	GEAR ASS'Y	1	
016	638376-1	YOKE UNIT	1	
017	629829-1	ARMATURE	1	
018	638375-3	ENDBELL COMPLETE	1	
019	191971-3	CARBON BRUSH CB-430	1	
020	643929-3	BRUSH HOLDER CAP	2	
021	266282-6	TAPPING SCREW ST3X10	1	
022	689136-4	FET SPACER	1	
023	266045-0	TAPPING SCREW 4X20	4	
024	183845-2	HOUSING SET INC. 2	1	
025	232220-0	LEAF SPRING	2	
026	819001-5	MAKITA LABEL	1	
028	344391-2	BIT HOLDER	1	
A01	122712-6	GRIP ASS'Y	1	
A02	414938-7	BATTERY COVER	2	
A03	***DC1414	DC1414 BATTERY CHARGER	1	
A04	192600-1	HIGH CAPACITY BATTERY 1422 SET	2	
A05	784637-8	+ - BIT 2-45	2	
A06	824626-2	PLASTIC CARRYING CASE	1	